



## Window thermometer

### H 081-MF

This high-quality thermometer has been developed with and for the Manufactum GmbH & Co. KG and it can only be acquired from this company website.

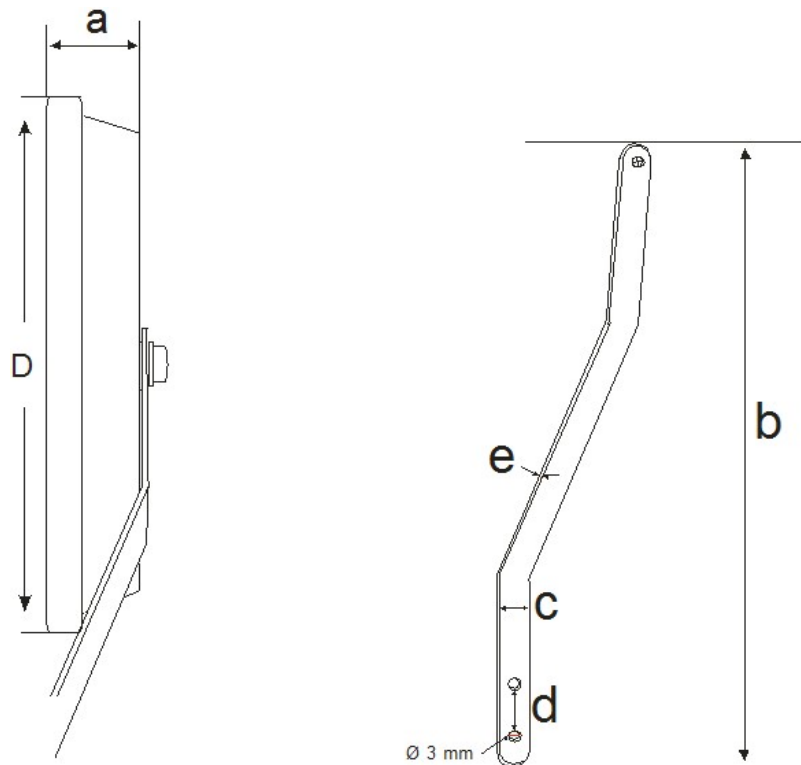
“[www.manufactum.de](http://www.manufactum.de)”

Application:	Outdoor temperature measurement
Nominal size	80 mm
Bail:	Stainless steel 1.4301
Housing:	Stainless steel 1.4301
Push on bezel:	Stainless steel 1.4301
Dial	Aluminum grey
Pointer	Aluminum red
Window	Instrument glass
Measuring element:	Bimetal helix
Measuring range:	-30+50°C
Accuracy:	Class 2 (DIN 16203 / DIN EN 13190)

Window thermometer

H 081-MF

This high-quality thermometer has been developed with and for the Manufactum GmbH & Co. KG and it can only be acquired from this company website.  
 "www.manufactum.de"



Nominal size (NG)	a	D			
80	13	80			
Bail with 2 woodscrew	b	c	d	e	
	130	10	17	1	

Size in mm

Details

We can offer further versions and special remarks on request.

[Technical changes reserve](#)