



Pressure-temperature gauge

H 046

#### With capillary

This pressure-temperature gauge, is mainly used in the heating and pressure technics industry.

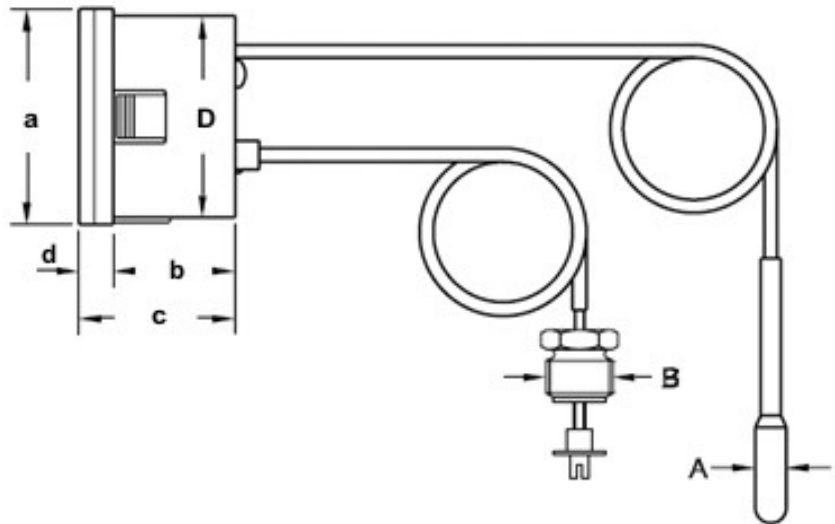
Application:	Heating and pressure technics industry
Nominal size:	40 – 42 – 52 mm
Housing:	Plastic ( reinforced nylon) black or white
Window:	Break-proof plastic
Dial:	Aluminum, white respectively black
Capillary:	<ul style="list-style-type: none"> <li>♦ Cooper, Ø 6,5 mm (A) / Copper G 1/4" (B)</li> <li>♦ Exit back-sided</li> </ul>
Fitting:	Snap-in at the left and right side of housing
Measuring range:	0+120°C / 0-4 or 0-6 bar
Accuracy:	± 3%
Options:	<ul style="list-style-type: none"> <li>♦ Other sensor diameters and capillary lengths</li> <li>♦ Other measuring ranges</li> <li>♦ Other connection types (G1/2", M14x1)</li> </ul>

Pressure-temperature gauge

H 046

**With capillary**

This pressure-temperature gauge, is mainly used in the heating and pressure technics industry.



D	a	b	c	d	A	B
40	43	25,6	32,9	7,3	6,5	G $\frac{1}{4}$ "
42	45	25,6	32,8	7,2	6,5	G $\frac{1}{4}$ "
52	58	32,9	39,6	6,7	6,5	G $\frac{1}{4}$ "

Size in mm

Details

We can offer further versions and special remarks on request.

[Technical changes reserve.](#)