



Capillary thermometer

H 039-H

Brass-sensor

This capillary thermometer is mainly used in boiler and heating facilities, but it is also used in the food and cooling industry.

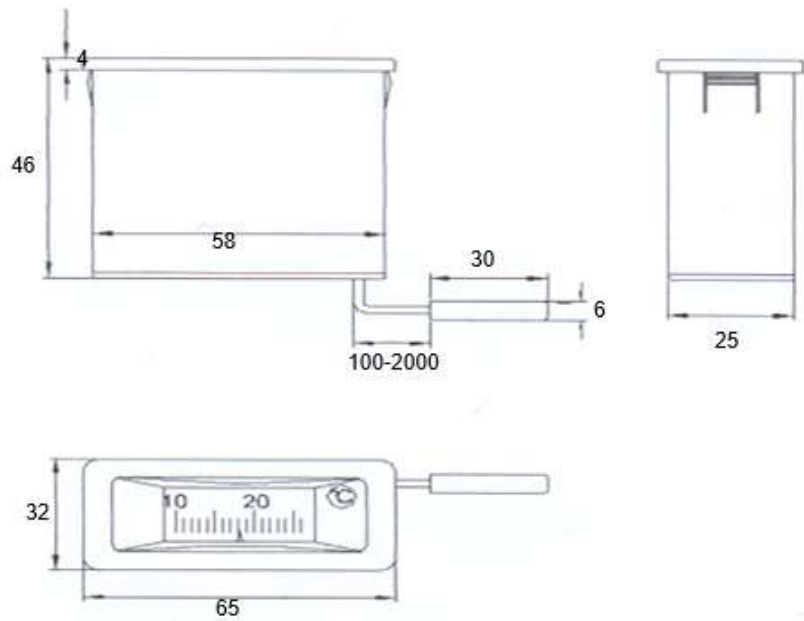
Application:	Heating, cooling and food industry
Housing:	Plastic (ABS), black
Window:	Plastic
Dial:	Plastic, white with black graduation
Capillary:	<ul style="list-style-type: none"> ♦ Copper, with plastic insulating; length 1.500 mm ♦ back connection
Sensor:	Copper; Ø 6,0 mm
Fitting:	Snap-in at the left and right side of the housing
Measuring range:	0+120°C / -40+40°C / -50+50°C
Accuracy:	± 3 %
Options:	<ul style="list-style-type: none"> ♦ Other capillary lengths and measuring ranges ♦ Housing in white ♦ Dyed graduation

Capillary thermometer

H 039-H

Brass-sensor

This capillary thermometer is mainly used in boiler and heating facilities, but it is also used in the food and cooling industry.



Size in mm

Details

We can offer further versions and special remarks on request.

[Technical changes reserve](#)