



Digital capillary thermometer  
H 037

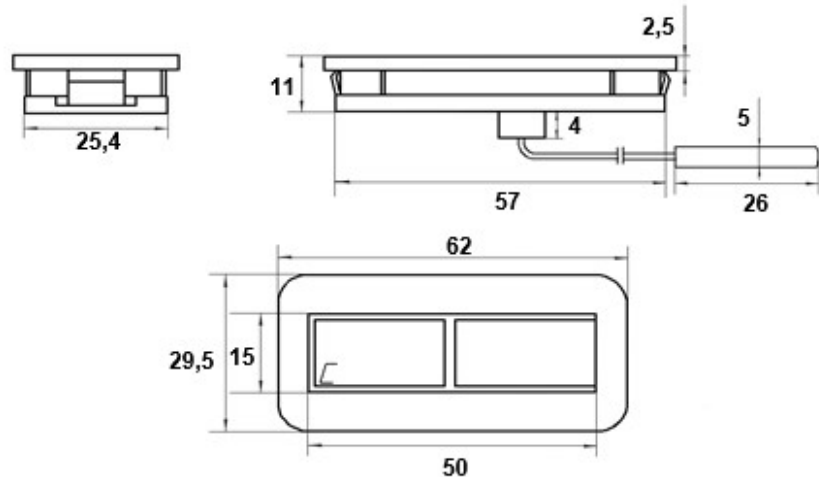
Precision digital thermometer for temperature measurement in cooling, heating, air conditioning and ventilating systems

Application:	Cooling, heating, air conditioning, ventilating industry engineering
Housing:	Plastic (PE), grey, watertight with temperature sensor
Measuring range:	-50+50°C
Display:	3½ digis-LCD
Resolution:	0,1°C
Update time:	10 sec
Capillary:	Plastic, length: up to 3 m, back connection
Power:	Solar cell unit
Accuracy:	± 1°C
Representation:	Digital representation, negative temperatures with minus sign
Options:	<ul style="list-style-type: none"> <li>◆ Announcement in Fahrenheit</li> <li>◆ with defrosting gauge</li> </ul>

Digital capillary thermometer

H 037

Precision digital thermometer for temperature measurement in cooling, heating, air conditioning and ventilating systems



Size in mm

Details

This hi-tech solar powered thermometer has a long durability. It is an ideal measuring instrument for cooling, heating, air conditioning and ventilating systems. The specific feature of this thermometer is the operation with solar energy, which is a natural and economical energy source. Due to the highly efficient solar cell unit, this thermometer works without any batteries

We can offer further versions and special remarks on request.

[Technical changes reserve.](#)