



## Bimetal dipping thermometer

H 030-1

### With attachment clip

Bimetal-thermometer for the use in catering, household and food industry.

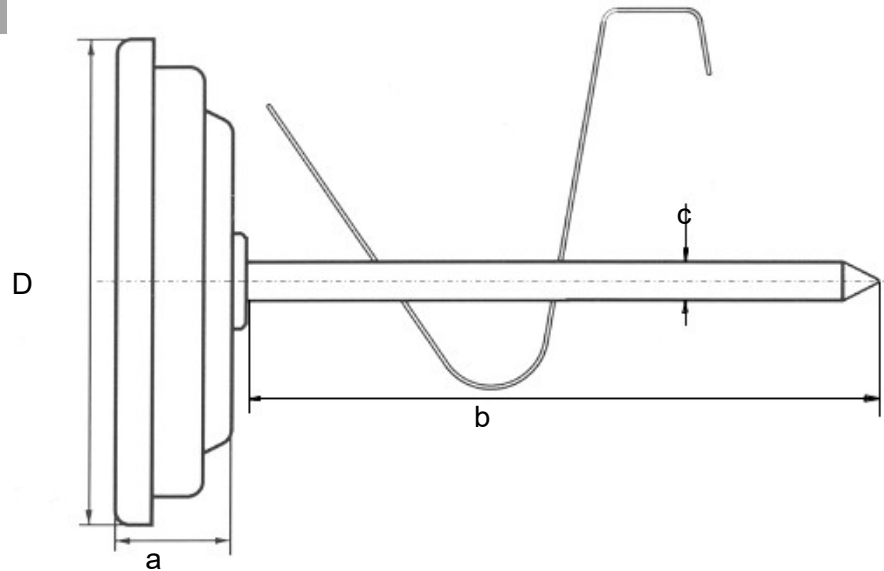
Application:	Kitchen, butchery, bakery, household, gastronomy, catering, laboratories
Nominal size:	35 - 50 mm
Stem length:	130 mm
Immersion Stem:	Stainless steel Ø 4 mm
Housing:	Stainless steel
Dial	Aluminum white, scale black
Pointer:	Aluminum red
Window:	Plastic
Attachment clip:	Stainless steel
Measuring element:	Bimetal helix
Measuring range:	0+100°C
Accuracy:	± 1,5% standard
Options:	Other measuring ranges and stem lengths Graduation and measuring in Fahrenheit

Bimetal dipping thermometer

H 030-1

With attachment clip

Bimetal-thermometer for use in catering, household and food industry.



Nominal size (D)	a	b	c
35	13,4	130	4
50	13,4	130	4

Size in mm

Details

We can offer further versions and special remarks on request.

Technical changes reserve.