



Bimetal chemistry thermometer

H 028

Vertical connection

Bimetal-thermometer for high measuring technology in the industrial sector, suited for aggressive media

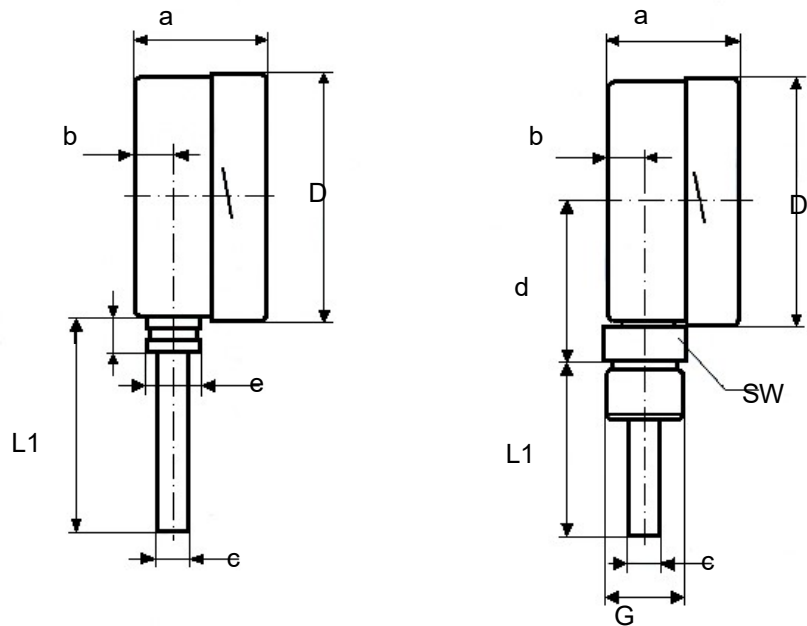
Application:	Chemistry, process technology, food industry
Nominal size:	63 – 100 – 160 mm
Stem length:	63 – 200 mm
Housing:	Stainless steel 1.4301
Push on bezel:	Stainless steel 1.4301
Dial:	Aluminum white, scale black
Window:	Instrument glass
Connection:	Immersion stem, stainless steel 1.4571 vertical
Operating pressure of pocket:	Maximum 6 bar
Measuring element:	Bimetal helix
Measuring range:	-20+60°C – 0+60°C – 0+120°C – 0+160°C
Accuracy:	Class 1 (DIN 16203 / DIN EN 13190)
Working temperature:	<ul style="list-style-type: none"> ♦ constant load: max scale value ♦ short-time: 1,1 max scale value
Protection:	IP 54 (EN 60529)
Options:	<ul style="list-style-type: none"> ♦ Other measuring ranges, connection types and stem lengths ♦ Pocket G½"A, stainless steel 1.4571 ♦ Female nut according to DIN 11851 ♦ Safety glass window ♦ Glycerin filling

Bimetal chemistry thermometer

H 028

Vertical connection

Bimetal-thermometer for high measuring technology in the industrial sector, suited for aggressive media



Nominal size (D)	a	b	c	d	e	f	G	SW	L2
63	44	16	8	41	14	9	G $\frac{1}{2}$ "	22	63 - 200
100	50	15	8	59	14	9	G $\frac{1}{2}$ "	22	
160	50	16	8	89	14	9	G $\frac{1}{2}$ "	22	

Size in mm

Details

- ◆ Option:
 - Pocket
 - Fixed connection

We can offer further versions and special remarks on request.

[Technical changes reserve.](#)