



Bimetal-industrial thermometer

H 025

Class 1

This bimetal-thermometer is suitable for a great range of industrial applications.

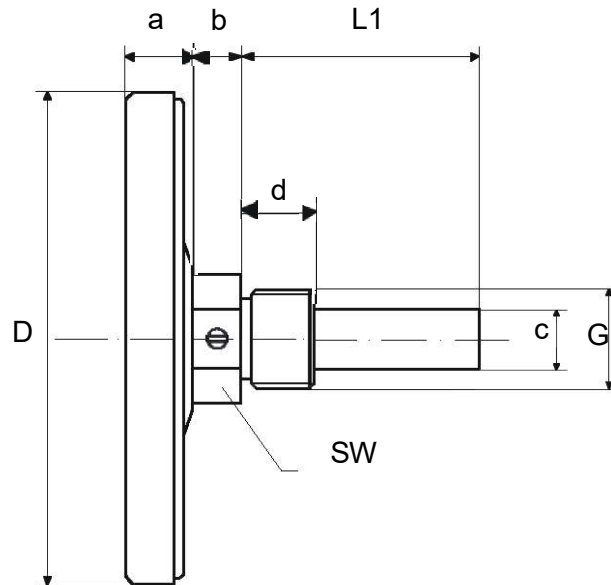
Application:	Machinery-, apparatus-, pipeline, construction, boiler
Nominal size	50, 63, 80, 100, 160 mm
Stem length:	40 – 300 mm
Housing:	Sheet steel, galvanised / Stainless steel 1.4301
Push on bezel:	Sheet steel, nickel-plated / Stainless steel 1.4301
Window:	Instrument glass
Connection:	Immersion stem brass or stainless steel Ø 9 mm
Operating pressure of pocket:	Maximum 6 bar
Measuring element:	Bimetal helix
Measuring range:	-20+60°C, 0+60°C, 0+120°C, 0+160°C
Accuracy:	Class 1 (DIN 16203 / DIN EN 13190)
Options:	Other measuring ranges and stem lengths

Bimetal-industrial thermometer

H 025

Class 1

This bimetal-thermometer is suitable for a great range of industrial applications.



Nominal size (D)	a	b	c	d	G	SW	L1
50	12	10,5	12	12,5	G½	22	40 – 300
63	13	10,5	12	12,5	G½	22	
80	13	10,5	12	12,5	G½	22	
100	15	10,5	12	12,5	G½	22	
160	17	10,5	12	12,5	G½	22	

Size in mm

Details

We can offer further versions and special remarks on request.

Technical changes reserve.