



Grip pricking thermometer
H 021

With cone point for
pricking and folding grip

Bimetal-thermometer for
temperature measurement in
food and drinks.

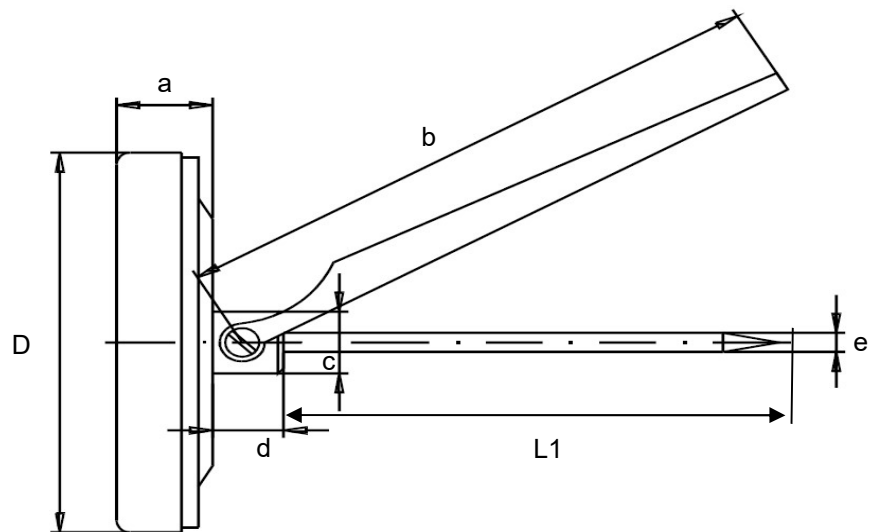
Application:	Catering, food industry, household
Nominal size:	50 mm
Stem length:	100 – 300 mm
Immersion stem:	Centrally backwards, stainless steel 1.4301 with cone point
Housing:	Stainless steel galvanised
Push on bezel:	Sheet steel nickel-plated
Dial:	Sheet steel, silver/white coated, black printed
Pointer:	Aluminum red
Folding hand grip:	Stainless steel 1.4301
Window:	Instrument glass
Measuring element:	Bimetal helix
Measuring range:	0+100°C, with print -50+50°C, 0+200°C, 0+400°C
Accuracy:	Class 2 (DIN 16203 / DIN EN 13190)
Options:	Other stem lengths

Grip pricking thermometer

H 021

With cone point for pricking and folding grip

Bimetal-thermometer for temperature measurement in food and drinks.



Nominal size (D)	a	b	c	d	e	L1
50	13	110	13	12,5	4	100-300

Size in mm

Details

We can offer further versions and special remarks on request.

[Technical changes reserve.](#)