

Bimetal thermometer

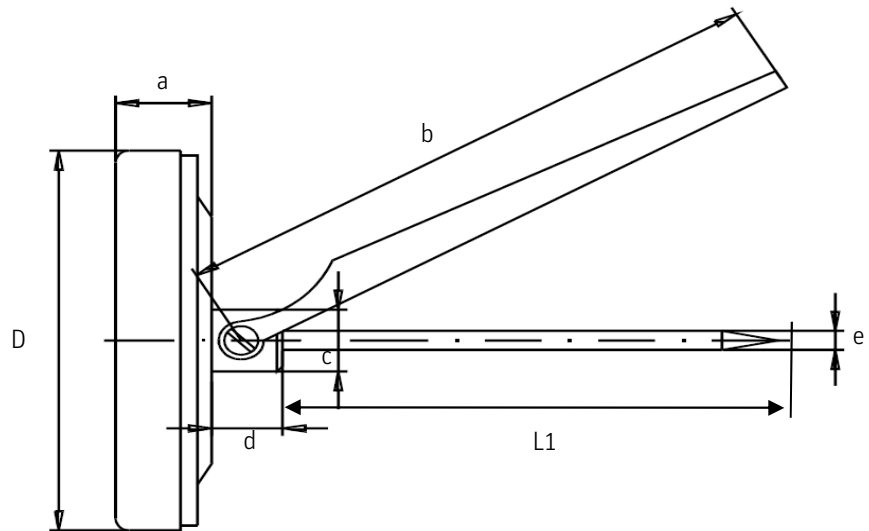
H 020



With cone point for pricking and folding grip

Bimetal thermometer for temperature measurement in food and drinks.

Application:	Catering, food industry, household
Nominal size:	34 mm
Stem length:	100 – 300 mm
Immersion stem:	Centrically backwards, stainless steel 1.4301 with cone point
Housing:	Stainless steel 1.4301 / Sheet steel,
Push on bezel:	Stainless steel 1.4301 / Sheet steel galvanised
Dial:	Plastic white with pulled up edge as screen
Pointer:	Aluminum red
Folding hand grip:	Stainless steel 1.4301
Window:	Instrument glass
Measuring element:	Bimetal helix
Measuring range:	0+120°C, -50+50°C, 0+200°C, 0+400°C
Accuracy:	Class 2 (DIN 16203 / DIN EN 13190)



Nominal size (D)	a	b	c	d	e	L1
34	9	110	13	12,5	4	100-300

Details

We can offer further versions and special remarks on request.

[Technical changes reserve](#)



Thermobau Wirthwein KG
 Walter-Wirthwein-Straße 12
 D-97993 Creglingen
 Tel: +49 (0) 7933 9900-30
 Fax: +49 (0) 7933 9900-32
 www.thermobau-wirthwein.de
 mail@thermobau-wirthwein.de