



Flue gas thermometer

H 014

**With adjustable cone**

Bimetal-thermometer for heating and ventilation systems

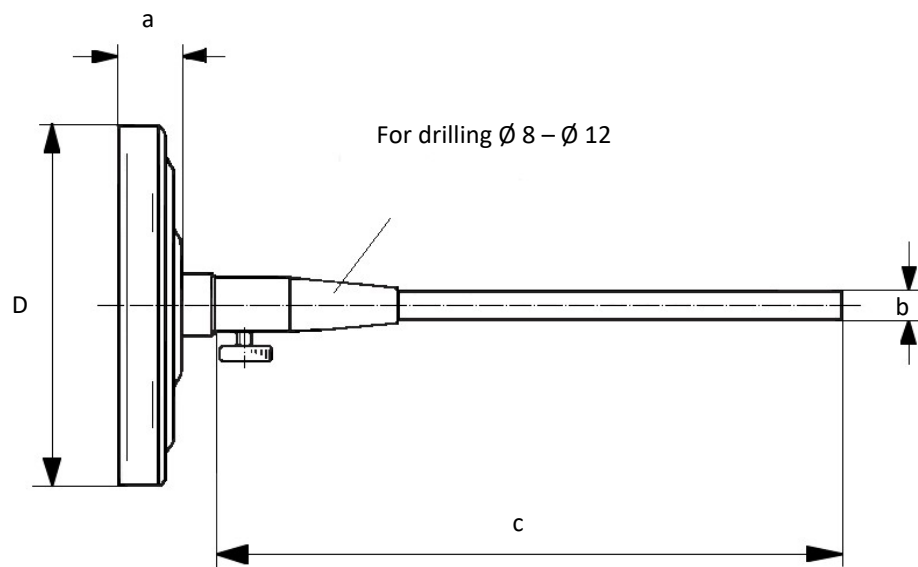
Application :	Burner control for gas and oil firings
Nominal size:	50, 63, 80 mm
Stem length:	100 – 150 – 200 – 300 mm
Housing:	Sheet steel, galvanised
Push on bezel:	Sheet steel, nickel-plated
Dial:	Aluminum grey – scale black
Pointer:	Aluminum, black
Window:	Plastic / Instrument glass
Connection:	Immersion stem stainless steel 1.4301
Measuring element:	Bimetal helix
Measuring range:	0+300°C - 0+500°C
Accuracy:	Class 2 ( DIN 16203)

Flue gas thermometer

H 014

**With adjustable cone**

Bimetal-thermometer for heating and ventilation systems



Nominal size (D)	a	b	L2
50	13,5	6	100 – 300
63	13,5	6	
80	13,5	6	

Size in mm

Details

We can offer further versions and special remarks on request.

[Technical changes reserve.](#)