



Bimetal-thermometer

H 006

Vertical connection

This bimetall-thermometer is suitable for a great range of industrial applications

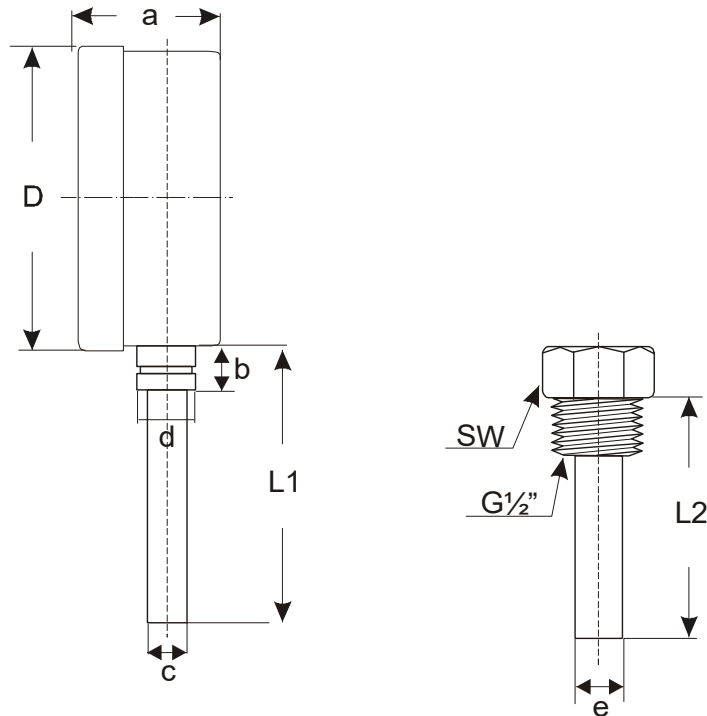
Application:	Heating and sanitation systems, process engineering
Nominal size:	63 – 80 - 100 mm
Stem length:	♦ 40 – 500 mm
Housing:	Sheet steel, galvanised
Push on bezel:	Sheet steel, nickel-plated
Dial:	Plastic scale white with pulled up edge as screen
Window:	Plastic / Instrument glass
Connection:	G ½ with O-ring or locking screw, immersion
Operation pressure of pocket:	Maximum 6 bar
Measuring element:	Bimetal helix
Measuring range:	-30+50°C, 0+200°C
Accuracy:	Class 2, Class 1 (DIN 16203 / DIN EN 13190)
Options:	other measuring ranges and pocket diameter standard pocket, length 50mm, optional with PTFE- self-sealing

Bimetal-thermometer

H 006

Vertical connection

This bimetal-thermometer is suitable for a great range of industrial applications



Nominal size (D)	a	b	c	d	e	L2
63	35	9	9	14	12	40 - 500
80	33	9	9	14	12	
100	39,5	9	9	14	12	

Size in mm

Details

We can offer further versions and special remarks on request.

[Technical changes reserve.](#)