



Bimetal-thermometer

H 004

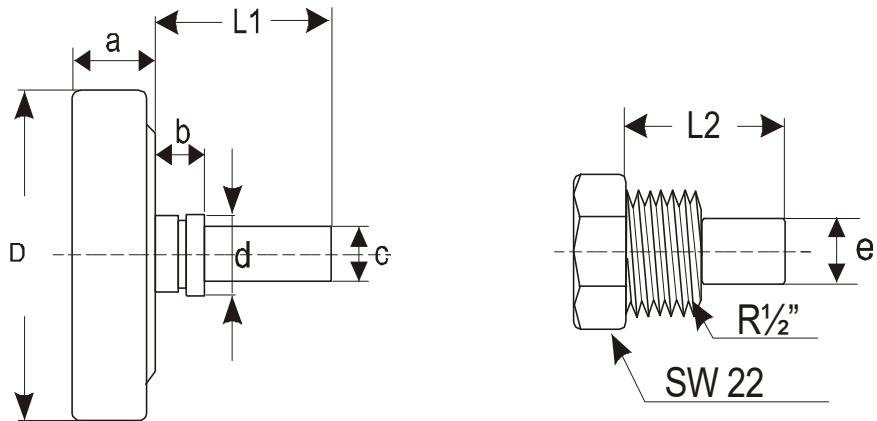
Bimetal-thermometer for heating and solar systems

Application:	Heating and solar technology, sanitation applications
Nominal size:	40 mm
Stem length:	<ul style="list-style-type: none"> ♦ 25 – 100 mm immersion stem Ø 7 mm ♦ 30 – 100 mm immersion stem Ø 9 mm
Housing:	Sheet steel, galvanised
Push on bezel:	Sheet steel, nickel-plated
Dial:	♦ Plastic white with pulled up edge as screen
Window:	Plastic / Instrument glass
Connection:	Immersion stem brass Ø7 or 9 mm horizontal, pocket brass R ½ A, removable
Operation pressure of pocket:	Maximum 6 bar
Measuring element:	Bimetal helix
Measuring range:	0+120°C, 0+160°C, 0+200°C
Accuracy:	Class 2 (DIN 16203 / DIN EN 13190)
Options:	♦ Other measuring ranges

Bimetal-thermometer

H 004

Bimetal-thermometer for heating and solar systems



Nominal size (D)	a	b	c	d	e	L2
40	12	7,5	7	14	9	27,5 – 100

Size in mm

Details

We can offer further versions and special remarks on request.

[Technical changes reserve.](#)